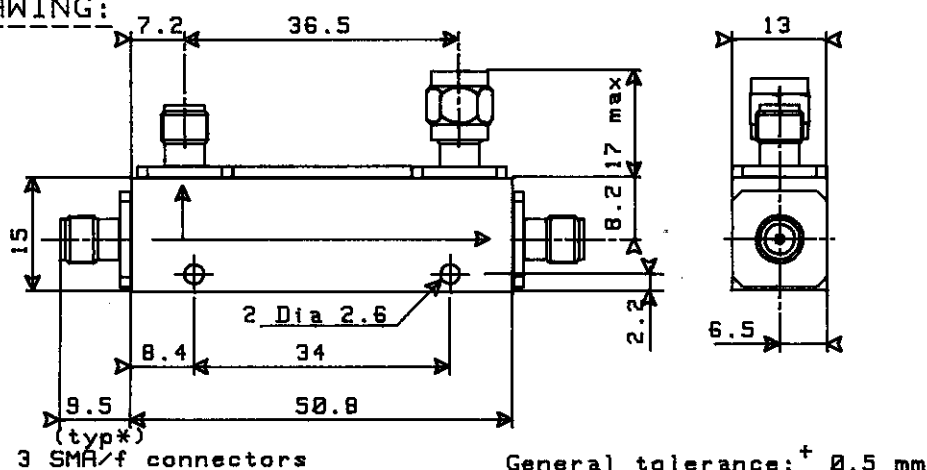




TITLE 10 dB 1.7 - 4.2 GHz DIRECTIONAL COUPLER

LTR. **C**

DRAWING:



ELECTRICAL CHARACTERISTICS:

FREQUENCY RANGE	: 1.7 - 4.2 GHz
IMPEDANCE	: 50 Ohms
COUPLING (*)	: 10 dB \pm 0.8 dB
FREQUENCY SENSITIVITY	: \pm 0.3 dB
DIRECTIVITY	: 20 dB mini
INSERTION LOSS	: 1 dB max.
V.S.W.R.	: 1.20 max.
AVERAGE POWER	: 50 W CW at 25°C
PEAK POWER	: 3 kW (1 μ S, 1%) at 25°C

MECHANICAL CHARACTERISTICS:

CONNECTORS	: SMA female per MIL C 39012
TERMINATION (on isolated port)	: 50 Ω 1 W
MAXIMUM WEIGHT	: 40 g

ENVIRONMENTAL CHARACTERISTICS:

OPERATING TEMPERATURE RANGE	: - 25°C + 85°C
STORAGE TEMPERATURE RANGE	: - 40°C + 100°C

(*) Frequency sensitivity is included in coupling.

Tentative data subject to change without notice.

PEN CAT	QUALITY D	MIP B			
	<i>Bathid</i>				
PAGE 1 1	DATE	NAME	LTR	REVISIONS	DATE APP.
	01/04/87	K. LUCIEN			
			B	New issue	06/07/98 K.I.

3294 - 8902